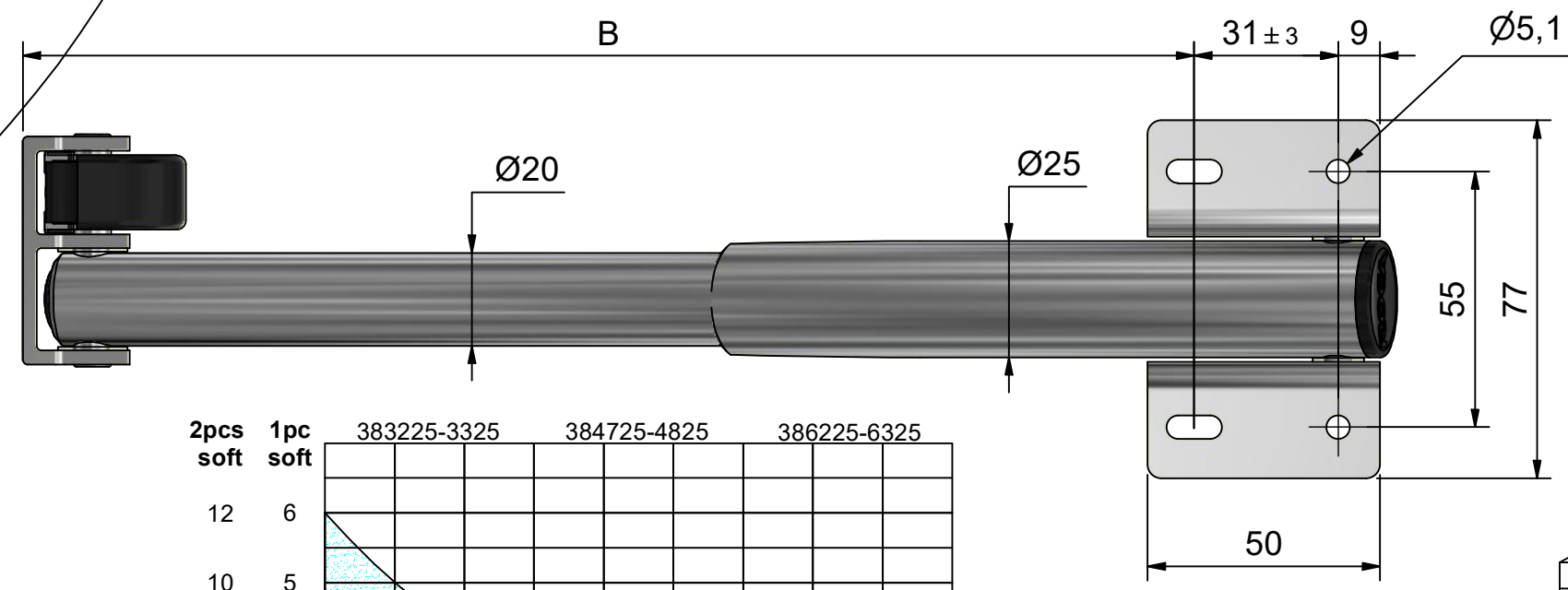
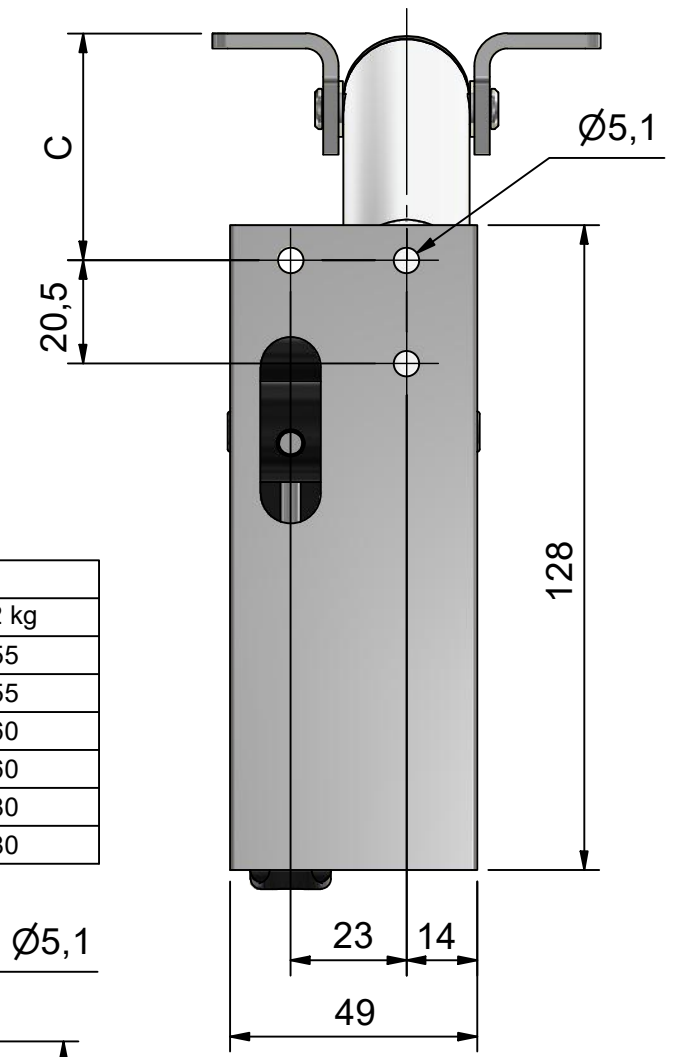


Specification:  
 Bracket - Aluminum / Anodized  
 Shaft and rivets - AISI304  
 End plug - PE  
 Cover - PA  
 Inside part - Zamac / Zink plated  
 Damper - Steel / painted + shaft AISI304 (IP65)

Load capacity						
Item no.	Color	A	B	C	P1 kg	P2 kg
383225	Natural	30-39	252	45	95	55
383325	Black	30-39	252	45	95	55
384725	Natural	30-50	402	87	120	60
384825	Black	30-50	402	87	120	60
386225	Natural	30-40	549	137	140	80
386325	Black	30-40	549	137	140	80



30  
 For easier mounting.  
 Use Rakego hinge.  
 388000 / 01

